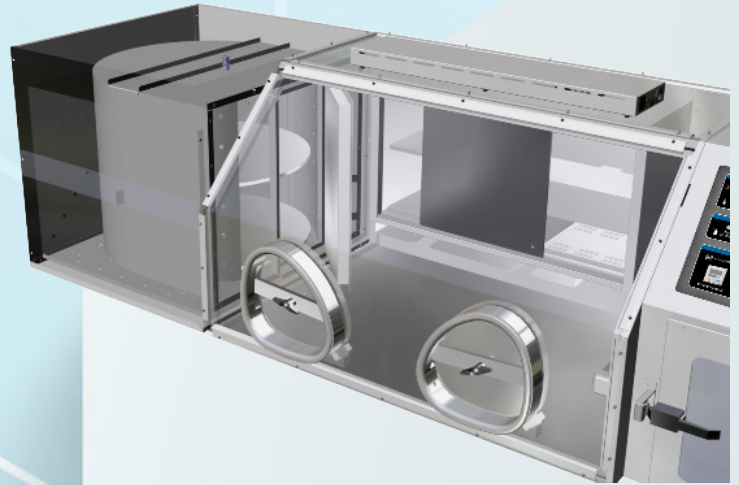


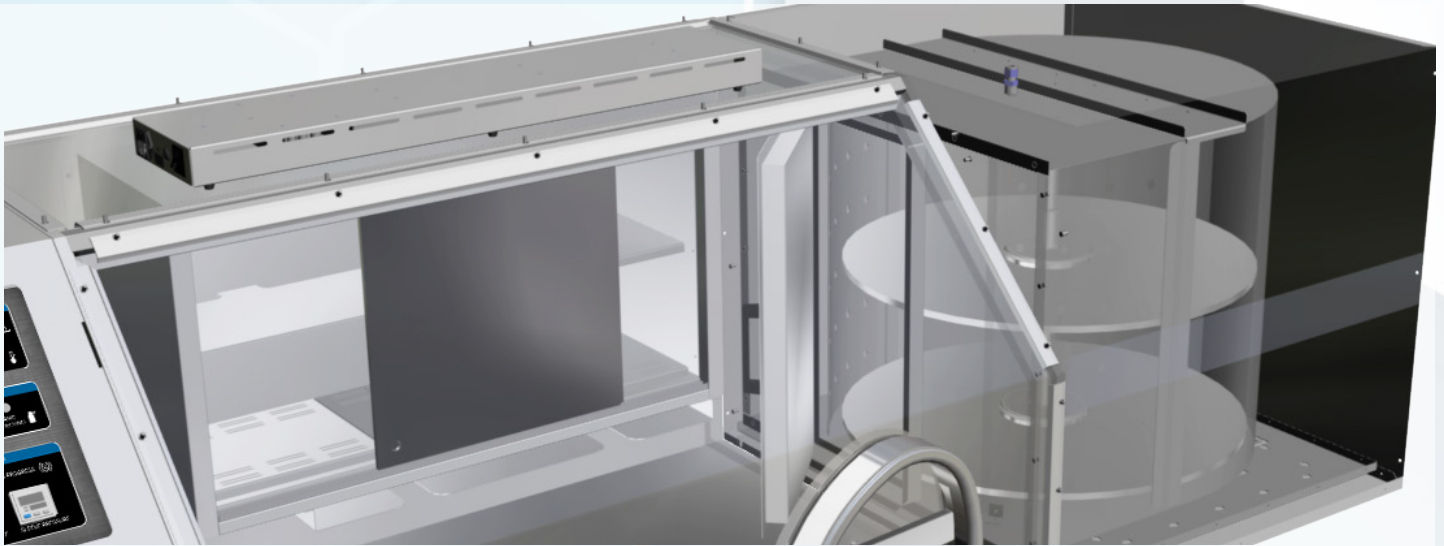
SHELDON

MANUFACTURING.INC

**INTRODUCING OUR 900 PLATE LARGE CAPACITY
ANAEROBIC CHAMBER DELIVERING OPTIMAL
PRODUCTIVITY**



 **BACTRON 900**
ANAEROBIC CHAMBER



The BACTRON900 Anaerobic Chambers affirms the same performance as the BACTRON300 and BACTRON600 with an inner workstation chamber incubator and a side storage incubator. In combination with a 16.0 cu. ft. workspace and two independent incubators totaling 900-plate real estate capacity, BACTRON900 is guaranteed to satisfy even the most demanding anaerobic research applications and situations. Our BACTRON Anaerobic Chambers have an airtight construction of stainless steel and rigid acrylic glass for unobstructed vision and integrity. The chamber handcuffs form a comfortable seal around the operator's arms that enables complete manipulation of plates and specimens inside the working chamber forming a work user-friendly in most applications. When sitting undisturbed and unopened at a steady state, the BACTRON Anaerobic Chamber typically rests oxygen-free and anaerobic. Our Anaerobic Chambers meet EN61010, UL61010, and Can/CSA61010 standards.

BACTRONS CREATE AN ENVIRONMENT WITH AN ABSENCE OF OXYGEN WHICH IS OBLIGATE, AND STRICT FOR YOUR ANAEROBIC ORGANISMS

Our BACTRON600 Anaerobic Chamber features:

- **Low Gas Supply Alarm**

Audible and visual notification via the control panel when the AMG gas supply is low. Also, operators can change the cylinder while the chamber atmosphere stays anaerobic.

- **Auto-Sleeve Cycle**

No more guesswork or operator variation; automated ultra-efficient sleeve cycles with one press of the foot switch.

- **Integrated Internal Regulators**

Ensure consistent and reproducible gas delivery to all chamber processes plus protecting all the internal

components from incorrect cylinder settings.

- **User Adjustable Airlock Cycling**

Customize your airlock cycle to fit your time and budget allowing operator customization from 3, 4, or 5 auto-cycle iterations.

- **Auto-Commissioning Cycle**

The single-button auto-commissioning cycle automatically creates an anaerobic atmosphere in 8 hours; press the button and walk away while the chamber becomes anaerobic.



Applications:

- » Clinical Microbiology
- » Microbiome Studies
- » Susceptibility Assays
- » Fermentation and Spoilage Studies
- » Food Microbiology
- » Bio-Energy Research
- » Environmental Microbiology
- » Anaerobic Bacteriology



Accessories		Unit Specifications	
Item Description	Part Number	BACTRON900	Part ID: BAA90022/ [BAA90022-E]*
Handheld Oxygen Sensor	9902223	Unit Weight	304lbs/138kg
Activated Carbon Media (2lbs/0.9kgs)	1060500	Shipping Weight	549lbs/249kg
Petri Plate Racks (2 x 11)	5110729	Workspace Chamber Volume	16.0 cu.ft. /453L
Leak Detector	4600501	Workspace Chamber Dimensions W x D x H	42.5" x 28.9" x 25.0" 1059 x 734 x 635mm
UV Viewing Lamp	9490507	Exterior Dimensions W x D x H	62.3" x 32.0" x 27.6" 1583 x 813 x 701mm
Nitrogen Regulator Kit	9740567	Airlock Dimensions W x D x Diagonal	16.0" x 10.0" x 11.5" 406 x 254 x 292mm
Nitrile Cuffs	3600525(S) 3600526(M) 3600527(L)	Side Access Panel Dimensions W x D	20.0" x 17.5" 508 x 444.5mm
Activated Carbon, Volatile Compounds Scrubber Fan	9490578 (110V) 9490581 (220V)	Airlock Volume	1.29 cu.ft. /36.5L
BACTRON900 Rolling Stand (W x D x H) 88.5" x 30" x 29"/2250 x 762 x 762 mm	BACSTAND-LG22	Airlock Plate Capacity	216
AMG REGULATOR ASSY 3/16ID TUBING / A HIGHER-PRESSURE GAUGE W/WIDE TUBING	9740560	Incubator Specifications	
Stereo Microscope w/ Accessories	Contact sales@sheldonmfg.com	Plate Capacity	900
Anaerobic Chamber Start-Up Kit*	9490511	Workspace Incubator Volume	1.4 cu.ft. /39.6L
Latex Cuffs	3600500(S) 3600502(L)	Side Incubator Volume	4.6 cu.ft. /130L
Benzalkonium Chloride Solution Chamber Cleaner	1060501	Workspace Incubator Dimensions W x D x H	27.5" x 8.5" x 13.5" 699 x 216 x 343mm
Anaerobic Indicator Strips	1060553	Side Incubator Dimensions	23.5" x 18.5" 597 x 470mm
Activated Charcoal Media	1060500	Temperature Range	Ambient + 5° to 70° C
Airlock Gasket (12 x 12)	3450507	Temperature Uniformity	+/- 1.0° C @ 37°C
Acrylic Glass Cleaner	1060503	Side Incubator Uniformity	+/- 1.0° C @ 37°C
Acrylic Glass Scratch Remover	1060504	Power	
O-Ring For Sleeve Cuff	6000504	AC Voltage	110-120/220-240
		Amperage	14/10
		Frequency	50-60Hz

*Denotes 220v unit



<https://www.sheldonmanufacturing.com>



sales@sheldonmfg.com



Manufactured in Cornelius, Oregon USA



USER MANUAL:

FOLLOW US ON:



SHELDON
MANUFACTURING, INC.



BACTRON900

ANAEROBIC CHAMBER

BUILT WITH TWO INCUBATORS FOR HIGH THROUGHPUT WORKFLOWS

